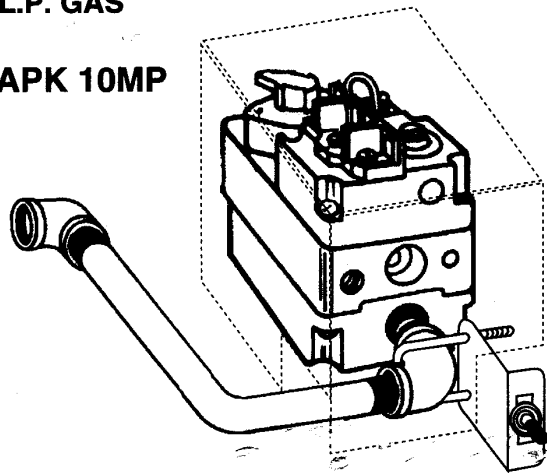


**ROBERT H. PETERSON CO.**  
**AUTOMATIC REMOTE**  
**LIGHTING SAFETY PILOT SYSTEM**  
**FOR NATURAL OR L.P. GAS**

**MODEL APK 10M - APK 10MP**



**NOTICE TO INSTALLER:**  
Please leave these instructions with  
the consumer  
**NOTICE TO CONSUMER:** Please  
retain for future reference

**FOR USE WITH PETERSON GAS LOG SETS ONLY**

**INSTALLATION AND OPERATING INSTRUCTIONS**

**WARNING:** If the information in this manual is not followed exactly, a fire or explosion may result causing property damage, personal injury or loss of life.

- Do not store or use gasoline or other flammable vapors and liquids in the vicinity of this or any other appliance.
- **WHAT TO DO IF YOU SMELL GAS**
  - Do not try to light any appliance.
  - Do not touch any electrical switch; do not use any phone in your building.
  - Immediately call your gas supplier from neighbor's phone. Follow the gas supplier's instructions.
  - If you cannot reach your gas supplier, call the fire department.
- **Installation and service must be performed by a qualified installer, service agency or the gas supplier.**

**IMPORTANT:** READ THESE INSTRUCTIONS CAREFULLY BEFORE STARTING INSTALLATION OF YOUR LOG SET

**BE SURE DAMPER IS FULLY OPEN WHEN OPERATING LOG SET**

YOUR PETERSON LOG SET IS TO BE BURNED ONLY IN A FULLY VENTED, NONCOMBUSTIBLE FIREPLACE WITH DAMPER AND CHIMNEY FREE OF ANY OBSTRUCTIONS. THE FIREPLACE MUST BE DESIGNED AND APPROVED TO BURN WOOD. Like burning natural firewood, your Peterson log set is designed to burn with yellow smoky flame. For this reason, it must be adequately vented. Be sure your fireplace damper is fully open when you burn your gas log set. The smallest dimension of the chimney flue must be at least 8 inches. If it is smaller, **DO NOT USE A PETERSON LOG SET.** If fumes from the burner emerge into the room when the damper is fully open, creating a smell like a smoldering oil lamp, it indicates that the fireplace draft is defective. Check chimney flue for obstructions. **DO NOT OPERATE LOGS UNTIL THE FIREPLACE DRAFT IS CORRECTED.** Check with your dealer or installer. Do not use firewood with this unit.

**This Safety Pilot System contains a control certified by A.G.A.**

## APK 10M - APK 10MP TABLE OF CONTENTS

SECTION	PAGE	SECTION	PAGE
Important Information	1-2	Connecting Pilot Assembly to Safety Valve	3
Operating Instructions	2	Pilot Adjustment	3
Maintenance	2	Mounting Pilot Assembly to Peterson Real-Fyre Burners	4
APK 10M APK-10MP Installation Instructions	3-4	Parts List	5
Safety Valve Installations	3	Trouble Shooting	6
Connecting Safety Valve to Burner	3		
Connecting Safety Valve to Gas Supply	3		

### IMPORTANT

The installation, including provisions for combustion and ventilation air, must conform with local codes or, in the absence of local codes, with the National Fuel Gas Code, ANSI Z223. 1.

The appliance and its individual shutoff valve must be disconnected from the gas supply piping system at test pressures in excess of 1/2 psig.

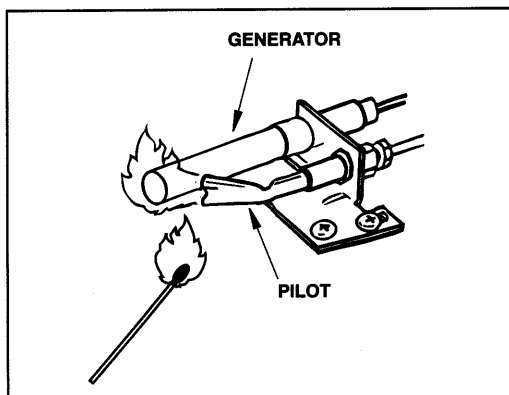
The appliance must be isolated from the gas supply piping system by closing its individual manual shutoff valve during any pressure testing of gas supply system at test pressures equal to or less than 1/2 psig. This is accomplished by closing the gas supply line valve, which is required by NFPA 54, Section 5.54.

**WHEN GLASS FIREPLACE ENCLOSURES (DOORS) ARE USED, OPERATE THE GAS LOG SET WITH THE GLASS DOORS OPEN.**

## OPERATING INSTRUCTIONS

### HOW TO LIGHT THE PILOT

To light the pilot from the PILOT position, push in slightly on the Safety Valve Knob and turn to the OFF position. Wait five minutes, then turn the Safety Valve Knob to the PILOT position. Push the Safety Valve Knob fully in and at the same time place a long match or a butane lighter at the pilot burner. The pilot will light. Hold the Safety Valve Knob in for approximately 60 seconds. If the pilot does not stay lit, turn the Safety Valve Knob to the full OFF position. Wait five minutes and repeat the lighting instructions.



Lighting the Pilot

**NOTE:** Pilot flame should encircle top of the generator  
**Figure 1**

### HOW TO TURN YOUR GAS LOG SET ON AND OFF - USING YOUR APK 10M OR APK 10MP SYSTEM

**To turn on your Gas Log Set** with the Pilot lit, turn the Safety Valve Knob to the ON position. Switch the Toggle Switch Control to the ON (UP) position and the gas log set will light.

**To turn off your Gas Log Set**, switch the Toggle Switch Control to the OFF (Down) position. The Pilot will remain lit.

**To turn off the Pilot**, be sure the Toggle Switch Control is OFF and depress and turn the Safety Valve Knob to the OFF position.

### MAINTENANCE OF YOUR APK 10M - APK 10MP

Your log set is equipped with a safety pilot that will shut off the gas supply in case the pilot is not burning or functioning properly. Make sure the pilot is adjusted properly and that the generator spade clips are tightly connected to the terminal screws on the valve. If the pilot will not stay lit, call your local Gas Utility or Gas Supplier.

A periodic check of the following should be performed at least annually by a qualified service representative.

1. Valves and Toggle Switch Control for proper operation.
2. Flue system for rust, damage or leaks.
3. Damper operation
4. Orifices for dirt or other foreign matter.
5. Visual check on the burner.

## APK 10M - APK 10MP INSTALLATION INSTRUCTIONS

Refer to the parts list when following these instructions.

**Be sure your Automatic Remote Lighting Safety Pilot System has been assembled for the proper gas. Systems labeled APK 10M are for Natural gas and APK 10MP are for propane (L.P.) Gas.**

### SAFETY VALVE INSTALLATION

Use Teflon tape or pipe compound for all male connectors to prevent gas leaks.

**NOTE:** Your Valve assembly is pre-assembled for ease of installation. Additional parts are required if mounting Valve on the left side of burner.

### PLACEMENT OF THE APK SAFETY VALVE

Correct placement of the APK Safety Valve in the fireplace is important to ensure proper operation. The Valve must be placed in the front right corner of the fireplace. Placement in the front left corner of the fireplace or outside the firebox is also permitted, but may require additional connecting parts.

### 1. CONNECTING THE SAFETY VALVE TO THE BURNER

- Follow the instructions supplied with your Peterson Gas Log Set for proper burner placement.
- Attach the connector elbow (See page 5) to the fuel injector or air mixer (Item 3) on burner. Be sure all connections are tight.

### 2. CONNECTING THE SAFETY VALVE TO THE GAS SUPPLY

- Turn off the gas supply to the fireplace.
- Attach the Hearth Elbow supplied with the CK-4 connector kit (Item 11) to your gas supply. This item is supplied with your burner assembly.
- Remove and discard the small brass connector elbow from the CK-4. Attach the CK-4 connector tube, one end to the Hearth Elbow that is attached to the gas supply and the other end to the gas supply fitting that is attached to the Safety Valve.

### 3. CONNECTING THE PILOT ASSEMBLY TO THE SAFETY VALVE

- Connect one of the spade clips on the wires from the generator (Item 5) to the terminal screw marked "PG" and the other spade clip to the terminal screw marked "TH-PG." on the safety pilot valve (Item 2). Tighten screws. (Note: Two wires, one from the Toggle Switch Control and one from the Generator, should be connected to the terminal screw marked "TH-PG", BE SURE THE JUMPER WIRE IS IN PLACE (Figure 2).
- Screw the pilot gas supply (Item 6) to the safety valve at the gas port marked "pilot." Be sure the connection is tight.

### 4. RADIANT HEAT SHIELD PLACEMENT

Cover the Safety Valve (Item 2) with the Radiant Heat Shield (Item 1). Be sure the solid black face of the shield is between the valve and the burner.

### 5. PILOT ADJUSTMENT

- The pilot flame should encircle the generator tip which is preset at the factory (Figure 1). Ordinarily, the pilot will not require field adjustment.
- If adjustment is necessary, remove the cap screw and turn the smaller gas adjustment screw inside counterclockwise to increase the pilot flame and clockwise to decrease the pilot flame. Replace cap screw.

**NOTE:** This valve is equipped with a thermo fuse that will disable the valve if the valve is heated to 190°F or greater. Be sure to install your APK Valve as indicated in "Placement of the APK Safety Valve". This valve does not require an outside electrical source (Millivolt System only).

### WIRING DIAGRAM

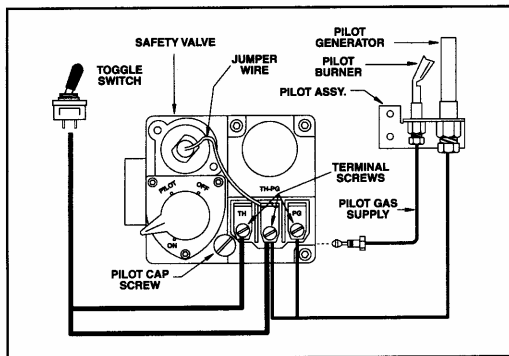


Figure 2

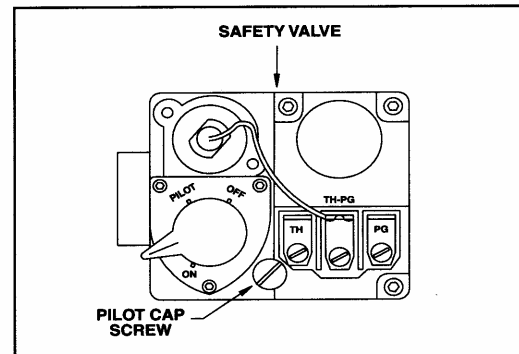


Figure 3

## APK 10M - APK 10MP INSTALLATION INSTRUCTIONS (CONT.)

Refer to the Parts List when following these instructions

### MOUNTING THE PILOT ASSEMBLY TO YOUR PETERSON REAL-FYRE BURNER

#### 1. ATTACHING THE FLAME DIVERTER BRACKET ON THE BURNER.

Attach the Flame Diverter Bracket (Item 10) to the side wall of the burner pan nearest to the valve. The Flame Diverter Bracket should be placed approximately 1 1/4" from the back side of the burner pan.

**NOTE:** The Flame Diverter Bracket is used only on G4, GX4, VG4 and P series burners.

#### 2. GLOWING EMBER BURNER - G4, GX4 AND VG4 SERIES.

- Attach the pilot assembly mounting bracket (Item 8) to the pilot assembly (Item 4) with #10 screws (Item 7) (Figure 4 - Note: Bracket, Insulation Pad and pilot assembly are shown attached).
- Place the burner insulation pad (Item 9) between the bracket and the burner. Insert the screws (Item 7) through the pilot assembly, insulation pad and holes in the side of the burner, and tighten.

#### 3. FRONT FLAME - F SERIES

- Attach the pilot assembly mounting bracket (Item 8) to the pilot assembly (Item 4) with #10 screw (Item 7) (Figure 5).
- Place the burner insulation pad (Item 9) between the bracket and the flame chute. Insert the slotted bolt (Item 12) through the hole in the first chute nearest the safety valve and attach the insulation pad and pilot assembly to the burner as illustrated in (Figure 5). Attach the hex nut and tighten.

#### 4. PAN BURNER — P SERIES

- Attach the pilot assembly mounting bracket (Item 8) to the pilot assembly (Item 4) with #10 screws (Item 7) (Figure 6-Note: Bracket, Insulation Pad and pilot assembly are shown attached).
- Place the burner insulation pad (Item 9) between the bracket and the burner. Insert the screws (Item 7) through the pilot assembly, insulation pad and holes in the side of the burner.

**Note:** The Generator and Gas Supply Leads should not be touching the burner pan or be placed in the fire.

**CHECK ALL CONNECTIONS FOR GAS LEAKS USING A SOAPY WATER SOLUTION. NEVER USE AN OPEN FLAME TO CHECK FOR GAS LEAKS.**

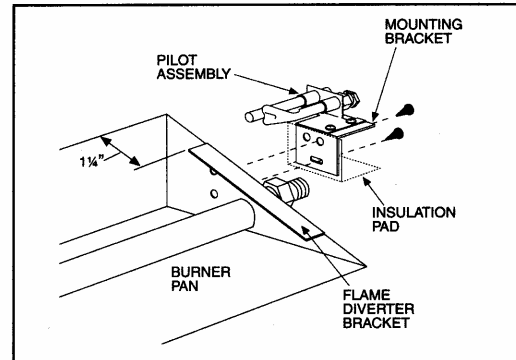


Figure 4

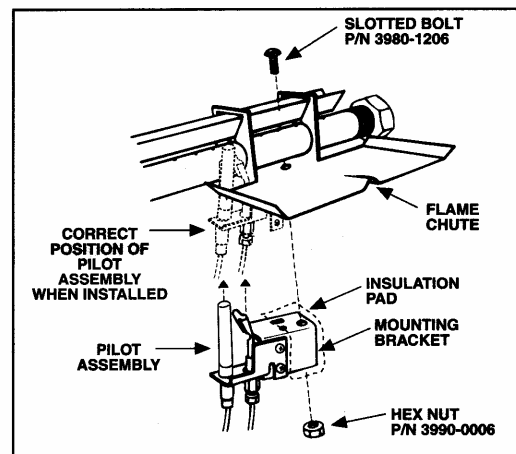


Figure 5

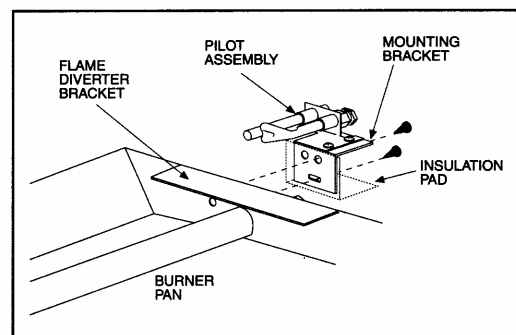
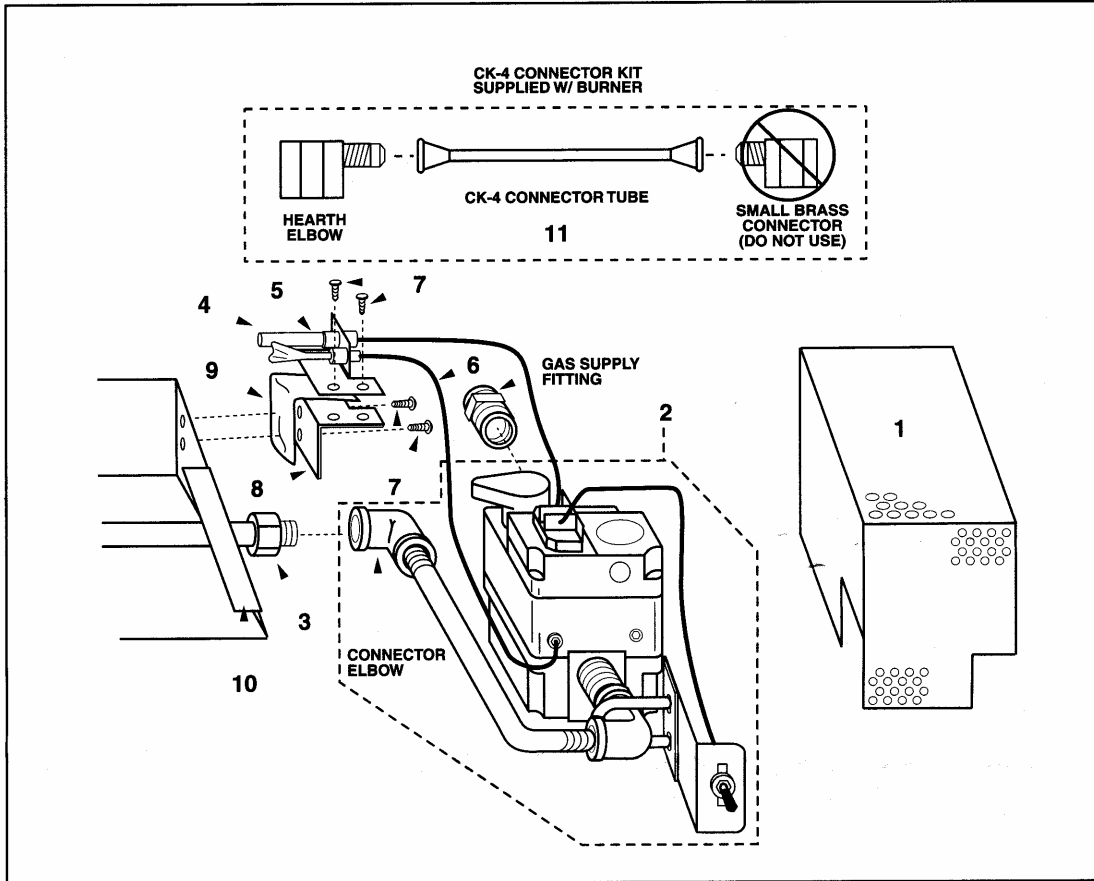


Figure 6

**Note:** The APK-10M/APK-10MP is compatible with all Peterson Remote Control Options. Contact your Peterson Dealer for more information.



**APK 10M - APK 10MP PARTS LIST**

<b>Item No.</b>	<b>Part No.</b>	<b>Description</b>	<b>Item No.</b>	<b>Part No.</b>	<b>Description</b>
1.	HS-3	Radiant Heat Shield	3.	AB-2	Fuel Injector (Nat. Gas only) or
2.	VA-100	Valve Assembly		AM-2	Air Mixer (supplied w/burner)
	SV-5	• Safety Valve	4.	PG-1	Pilot Assembly
	NP-3	• Gas Supply Fitting	5.	GN-1	Generator
		1/2" NPT x 3/8" Flare	6.	PG-3	Pilot Gas Supply
	NP-4	• 1/2" NPT Close Nipple	7.	3983-6003	screw #10 x 3/8" PH, BLK (4 Req.)
	HE-4	• Connector Elbow	8.	PB-1	Pilot Assembly Mounting Bracket
		3/8" NPT Female Thread	9.	GP-1	Burner Insulation Pad
	EL-9	• Connector Elbow	10.	SH-1	Flame Diverter Bracket
		1/2" to 3/8" NPT Female Thread	11.	CK-4	Connector Kit (supplied w/burner)
	MF-10	• 3/8" Manifold	12.	SS-2	1/4" Slotted bolt and nut
	3980-9216	• U-Bolt w/ plate and nuts			(For Front Flame burner installation only.)
	SW-3	• Toggle Switch Control			
	WI-4	• Wire Harness			

## TROUBLE SHOOTING

PROBLEM	CAUSE	SOLUTION
<b>1. Pilot Will Not Stay Lit</b>	a. Pilot generator may not be producing sufficient millivoltage.	a. Check with a millivolt meter. Should be 250 millivolts or more.
	b. Pilot flame is making a blowing noise.	b. Pilot needs adjusting. See pg. 3 (Pilot Adjustment).
	c. Generator wire leads are attached to the wrong terminals on the valve.	c. See pg.3 (Connecting Pilot Assembly to Safety Valve).
	e. Defective thermomagnet safety in the valve.	e. Replace valve.
<b>2. Pilot Burning - No Gas to Burner</b>	a. Safety valve not turned to the "ON" position after lighting pilot.	a. Turn to "ON" position.
	b. Wire Leads are not connected to proper valve terminals or Toggle Switch terminals not tight.	b. Make sure all wire leads are tight and attached to proper terminals (See wiring diagram on pg. 3).
	c. Pilot generator may not be producing sufficient millivoltage.	c. See section 1a above.
	d. Defective valve.	d. Replace valve.
<b>3. Log Set Not Burning Properly</b>	a. Low flame/uneven flame.	a. Check for low gas pressure; should have operating pressures of 7" W.C. for natural gas, 11" W.C. for LPG at Manifold.
		b. Burner should be filled completely with Sand or Vermiculite (L.P.)
<b>4. Log Set Operates But Will Not Shut "OFF"</b>	a. Toggle Switch Control lead wires to the valve may be shorted together or on wrong terminals.	a. See pg.3 (Wiring Diagram)
<b>5. Frequent Pilot Outage</b>	a. Pilot flame is out of adjustment.	a. See section 1b above.
	b. Down drafts from the chimney, extinguishing the pilot.	b. Check draft. Consult with a qualified chimney expert.
<b>6. Log Set Shuts Down During Operation</b>	a. Glass doors closed causing excessive heat buildup.	a. Open glass doors.
	b. Pilot generator improperly mounted on rear of burner pans.	b. See (Mounting Pilot Assembly to Real-Fyre burners).
	c. Heat shield not in place.	c. Place heat shield over valve. Be sure the solid black face of the shield is between the valve and the burner.